

DMI-110

10" RAILWAY MONITOR



VDS Rail

The DMI-110 VGA Railway Monitor is designed to provide a robust and versatile solution for rolling stock applications. With support for a wide range of operating voltage and a top-level mechanical enclosure, the DMI-110 is ready for harsh environments and is compliant with EN50155.



HIGHLIGHTS

- ▶ ROLLING STOCK APPLICATIONS
- ▶ EN50155 COMPLIANT
- ▶ OPERATIONAL TEMPERATURE: -25°C/+85°C ACCORDING TO EN50155 - T3 CLASS
- ▶ WIDE OPERATING VOLTAGE RANGE
- ▶ TOUCHSCREEN VERSION AVAILABLE
- ▶ AUTOMATIC BRIGHTNESS ADJUSTMENT
- ▶ RATED IP 65 ON FRONT PANEL

Technical Specifications

APPROVALS/COMPLIANCE

Governing Standard:	EN 50155 Railway Applications (Electronic equipment used on rolling stock)
---------------------	---

APPROVALS/COMPLIANCE (EMC)

Electromagnetic compatibility rolling stock apparatus:	EN 50121-3-2
--	--------------

APPROVALS/COMPLIANCE (ENVIRONMENT)

Environmental test:	EN60068-2-1
Guidelines for fire protection - Evaluation of fire behavior of materials:	UNI CEI 11170-3
Shock & Vibration:	EN 61373
Temperature range:	-25°C/+70°C (-25°C/+85°C for 10 minutes according to EN50155 -T3 class)

DISPLAY

Colors:	256 K
Contrast:	600:1 (typ)
Luminance:	450 cd/m ² (typ)
Resolution:	640 x 480 (VGA)
Size:	10.4"
Type:	LCD TFT color

ENVIRONMENT

Front panel IP rating:	IP 65
------------------------	-------

INPUT SIGNALS

1x VGA input port 15 pin, High Density, D-SUB, female

PHYSICAL DATA

Back dimensions:	280 x 204 mm
Depth:	46 mm
Front dimensions:	310 x 214 mm

POWER SUPPLY

Max consumption:	15 W
Voltage range:	14,4 ÷ 40 Vcc

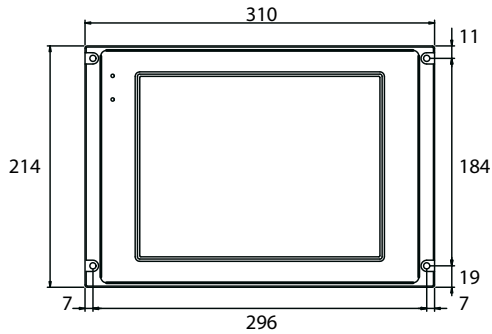
DMI-110

10" RAILWAY MONITOR

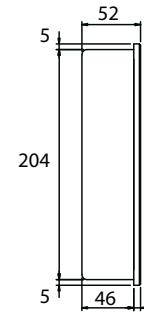


VDS Rail

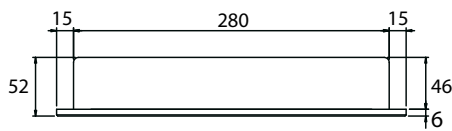
Wall Mounting



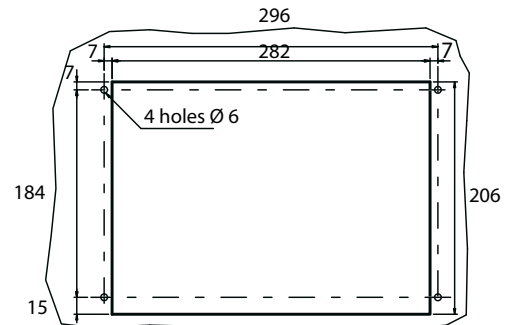
FRONT VIEW



SIDE VIEW



TOP VIEW



PANEL CUT OUT

Ordering Codes

DMI-110 24 Vdc version

- DM110M** DMI-110 VGA Railway Monitor, 24 Vdc, display 640x480
- DM110P** DMI-110 VGA Railway Monitor, 24 Vdc, display 800x600

DMI-110 72/96/110 Vdc version

- DM110N** DMI-110 VGA Railway Monitor, 72/96/110 Vdc, display 640x480
- DM110Q** DMI-110 VGA Railway Monitor, 72/96/110 Vdc, display 800x600

OPTIONS

- DM10TS** 10.4" resistive touch screen
- DM0068** M23 power connector + 2 pins
- DM0070** Display settings controller (RS-232)