

# DMI-106

6.5" RAILWAY MONITOR



VDS Rail

The DMI-106 VGA Railway Monitor is designed to provide a robust and versatile solution for rolling stock applications, ready for harsh environments and compliant with EN-50155.



## HIGHLIGHTS

- ▼ ROLLING STOCK APPLICATIONS
- ▼ EN50155 COMPLIANT
- ▼ OPERATIONAL TEMPERATURE: -25°C/+70°C ACCORDING TO EN50155 - T1 CLASS
- ▼ WIDE OPERATING VOLTAGE RANGE
- ▼ TOUCHSCREEN VERSION AVAILABLE
- ▼ AUTOMATIC BRIGHTNESS ADJUSTMENT
- ▼ RATED IP65 ON FRONT PANEL

## Technical Specifications

### APPROVALS/COMPLIANCE

Governing Standard:	EN 50155 Railway Applications (Electronic equipment used on rolling stock)
Electromagnetic compatibility rolling stock apparatus:	EN 50121-3-2
Environmental testing - Part 2-1:	Tests - Test A: Cold: IEC 60068-2-1
Environmental testing - Part 2-2:	Tests - Test B: Dry heat: IEC 60068-2-2
Guidelines for fire protection - Evaluation of fire behavior of materials:	UNI CEI 11170-3
Shock & Vibration:	EN 61373
Temperature range:	-25°C/+55°C (-25°C/+70°C for 10 minutes according to EN 50155-T1 class)

### DISPLAY

Colors:	256 K
Contrast:	600:1 (typ)
Luminance:	700 cd/m <sup>2</sup> (typ)
Resolution:	640 x 480 pixels (SVGA)
Size:	6.5"
Type:	LCD TFT color

### ENVIRONMENT

Front panel IP rating: IP 65

### INPUT SIGNALS

1 x VGA input port 15 pin, High Density, D-SUB, female

### PHYSICAL DATA

Back dimensions:	176 x 142 mm
Depth:	60 mm
Front dimensions:	196 x 150 mm

### POWER SUPPLY

Max consumption:	15 W
Voltage range:	14,4 ÷ 40 Vcc

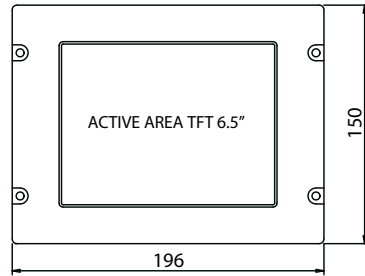
# DMI-106

6.5" RAILWAY MONITOR

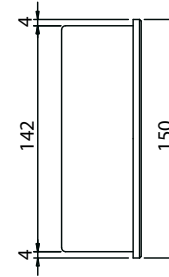


VDS Rail

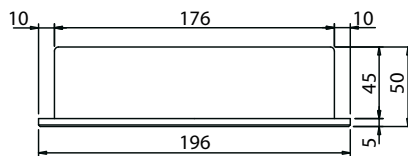
## Wall Mounting



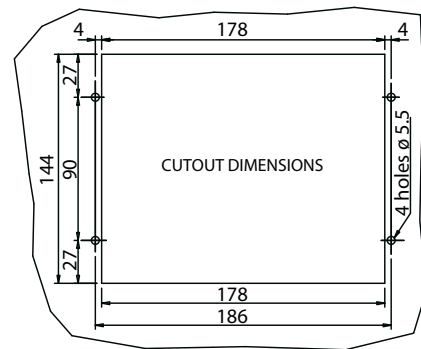
FRONT VIEW



SIDE VIEW



TOP VIEW



PANEL CUT OUT

## Ordering Codes

### DMI-106 24 Vdc version

**DM106M** DMI-106 VGA Railway Monitor, 24 Vdc

### OPTIONS

- DM06TS** 6.5" resistive touch screen
- DM0068** M23 power connector + 2 pins
- DM0070** Display settings controller (RS-232)